

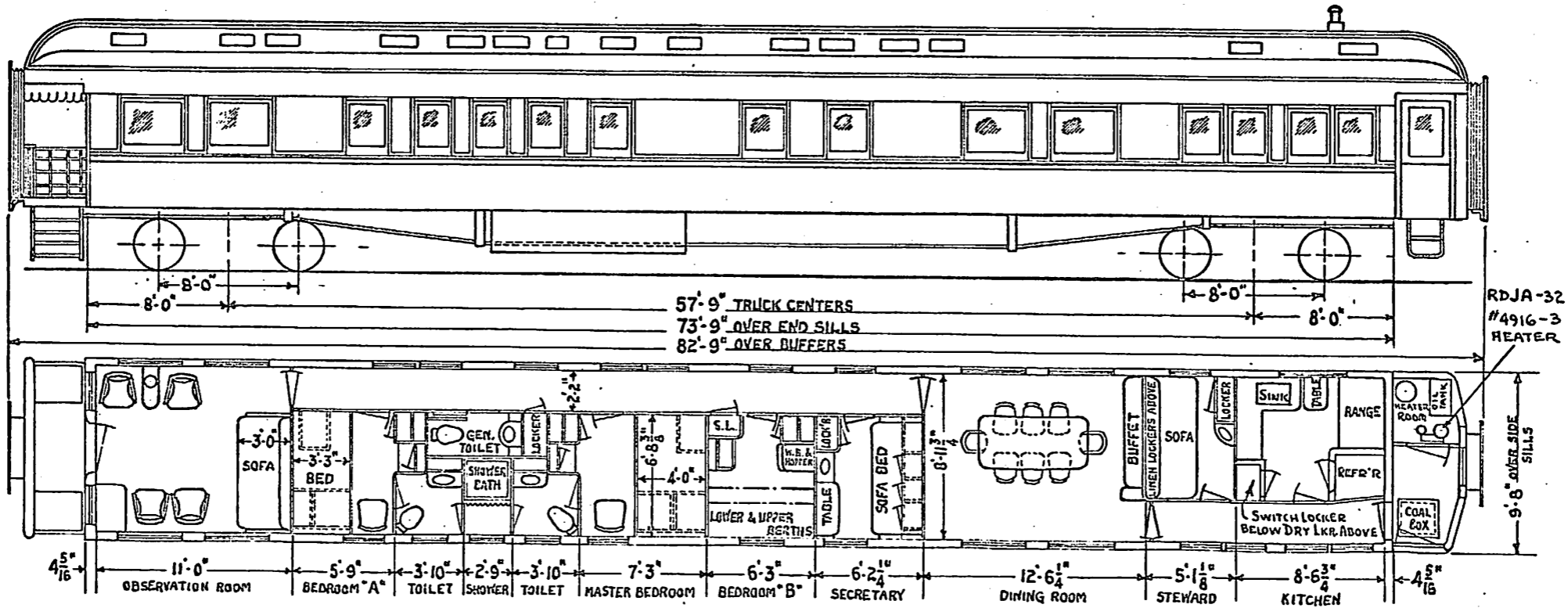
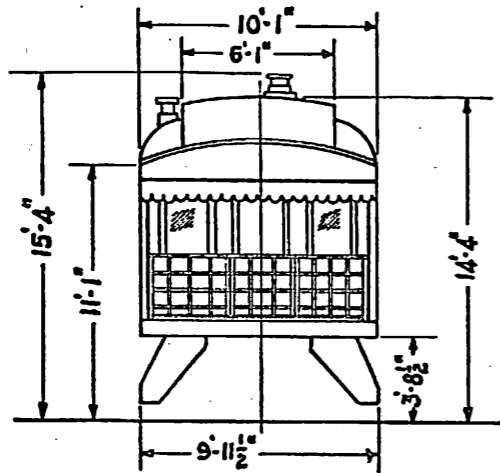
RENUMBERING	
YEAR	No.
1913	G.T.P. 3410
1916	C.G.R. 41
1919	C.NAT. 55
1924	C.NAT. 89
1959	C.NAT. 62

FLOOR PLAN DRG. 6H-25861-D

CANADIAN NATIONAL RAILWAYS
MECHANICAL DEPARTMENT
MONTREAL

73'-9" BUSINESS CAR
CLASS PV-74-E

NO. OF CARS	CAR NOS.
1	62



FEB. 60.
NOV. 59.
DEC. 58.

ISSUE: D. & F. G.

JAN. 1951.