

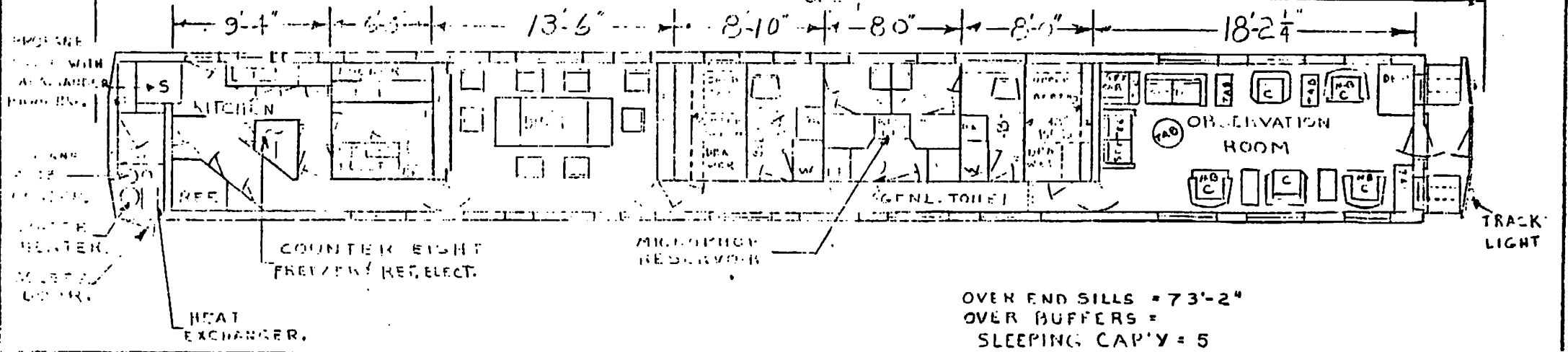
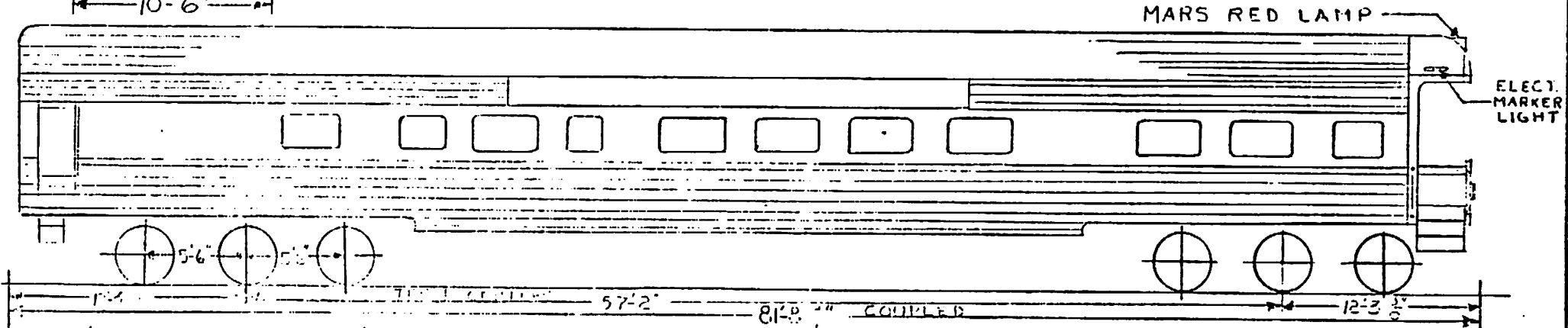
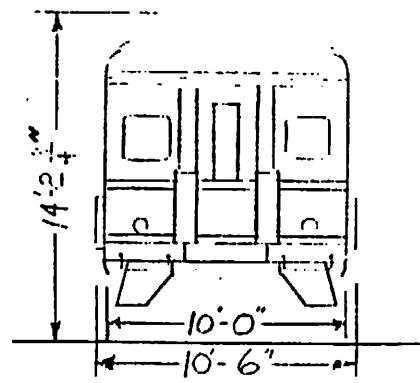
| |
|-----------|
| NO |
| 1971 |
| 1972 CN4 |
| 1975 CN95 |

PLAN D.W.G. - 611-39682
 MAX. M CAR OUTLINE: PROJECT. 7304

CANADIAN NATIONAL RAILWAYS
 EQUIPMENT DEPARTMENT
 CHIEF OF M.P. / C.E.

| | |
|----------------------|---------|
| 73'-2" BUSINESS CAR. | |
| CLASS: PV-73-G | |
| NO OF CAR | CAR NO. |
| 1 | * 95. |

AC-PROP.
 GEN. R. AXLE DRIVEN 10 KW
 LAUKESHA 7½ KW-37½ V.
 AC WAUKESHA ENGINE



OVER END SILLS = 73'-2"
 OVER BUFFERS =
 SLEEPING CAP'Y = 5